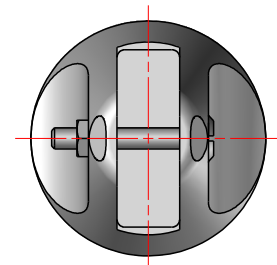
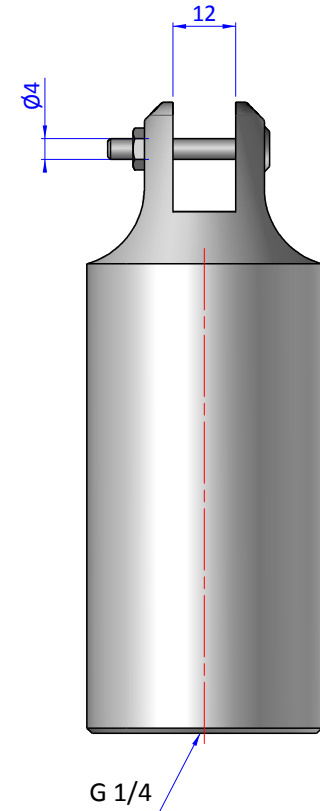
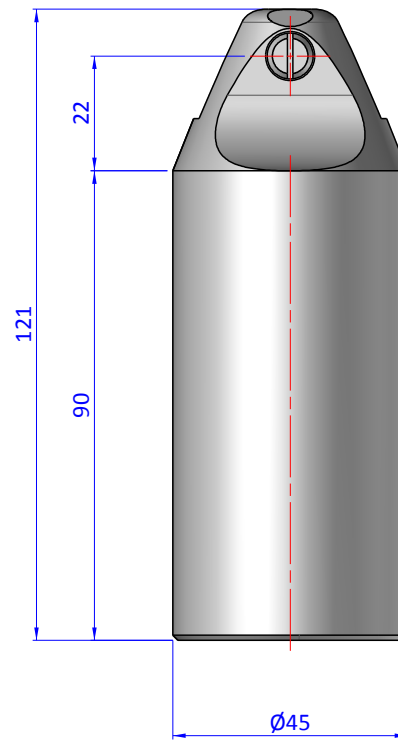
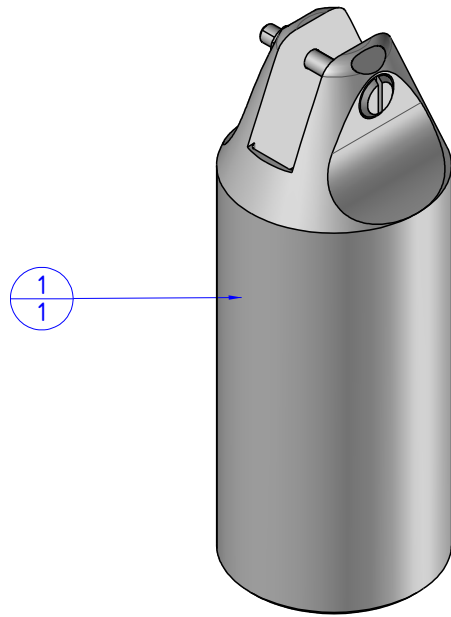


THE PROPERTY OF THE DRAWING IS ESTABLISHED BY LAW. IT IS FORBIDDEN TO PRODUCE OR SHOW IT TO THIRD PART. WITHOUT A WRITTEN AGREEMENT.

Item	Name	Q. ty
1	MR.20M	1



Format A3

UNI 936-76

FP SERVICES AUTOMATION		DESIGNED FROM		REVIEW
		FPSERVICES		A
GENERAL TOLERANCE		DATE	WEIGHT	
UNI - ISO 2768		21/02/2019	0,250Kg	
CLASSE f	DESCRIPTION	CODE		
	CA.MR.20M	CA.MR.20M		